



ALAF AQ INTEGRATED
CRUSHING & SCREENING PLANT





ALAFQAQ INTEGRATED

CRUSHING & SCREENING PLANT

Sales@alafaqintegrated.com www.alafaqintegrated.com



ALAFQA INTEGRATED
CRUSHING & SCREENING PLANT

INDEX

ABOUT CONSTMACH
STATIONARY CRUSHING PLANTS
MOBILE CRUSHING PLANTS
JAW CRUSHERS
PRIMARY IMPACT CRUSHERS
SECONDARY IMPACT CRUSHERS
TERTIARY IMPACT CRUSHERS
VSI CRUSHERS
VIBRATING SCREENS
VIBRATING FEEDERS AND HOPPERS
GRAVEL WASHING SYSTEMS
BELT CONVEYORS
REFERENCES

ABOUT CONSTMACH



CONSTMACH is the leader manufacturer of concrete batching plants crushing & screening equipment of Turkey. Mobile crushing and screening plants, cement silos, gravel screening and washing plants are other product types which are manufactured by CONSTMACH.

CONSTMACH manufactures its products at its four factories which are located in İzmir, Turkey.

Our products are exported to over 80 countries on 5 continents. USA, Germany, France, Spain, Canada, Mexico, Netherlands, Belgium, Switzerland, Sweden, Poland, Bulgaria, Slovenia, Slovakia, Serbia, Hungary, Romania, Latvia, Ukraine, Russia, Egypt, Morocco, Algeria, Bahrain, Kuwait, Oman, Senegal, Cameroon, Niger, Guinea, Somaliland and many other countries where our plants are preferred by our clients.

Our main target is always manufacturing the plants and machinery which fully satisfy our clients' needs and to maintain the reliability of our company name. Customer satisfaction is the most important business criteria for our company.

CONSTMACH makes human centered designs and production in a way of respecting to the environment and occupational health and safety.

CONSTMACH is a customer-focused, team-centered and quality assurance process-managed company and to be commitment to customer relationships is always primary in **CONSTMACH**. ISO 9001:2015 Quality Management System Certificate and CE Certificate of our products are the main indicators of our quality policy.



STATIONARY CRUSHING PLANTS



STATIONARY CRUSHING PLANTS



CONSTMACH designs and manufactures stationary type crushing and screening plants with different configurations and capacity values as per clients' needs and preferences. Production capacity values of our crushing and screening plants changes between 50 to 1.000 tons per hour.

Configurations and layouts of our crushing and screening plants are defined according to different criterias such as:

1. Required production capacity,
2. Type, hardness and abrasiveness level of the material to be crushed,
3. Maximum feeding size of the material,
4. Sizes of required final fractions.

Our design team configures various layouts by using our different types and sizes of feeders, crushers, screens, hoppers, washers and conveyors. Our company's main target is always to support our clients to choose the most suitable designs as per their real needs and to help them to avoid mis-investments that will cause waste of finance and/or high operational costs.



MOBILE CRUSHING PLANTS



JC and JCV Series: Mobile Hard Stone Crushers

JS Series: Mobile Jaw and Impact Crushers

V & T Series: Mobile Sand Making Plants

PI Series: Mobile Limestone Crushers

MOBILE CRUSHING PLANTS



CONSTMACH manufactures different sizes and types of mobile crushing plants which are classified under 4 different groups like the following:

- **JC and JCV Series, Mobile Hard Stone Crushing Plants:**

CONSTMACH Mobile hard stone crusher is a perfect solution for crushing very hard rocks with high abrasiveness and Silica (SiO₂) ratio such as granite, basalt, gabbro etc. It is also possible to crush any other stones such as limestone, river stone, dolomite. Presence of primary jaw crusher enables to crush big and hard rocks. On the other hand, thanks to the secondary cone crusher it is possible to make the second stage crushing of the hardest materials.

- **JS and JT Series, Mobile Jaw and Impact Crushers**

Mobile crushing plants which are combination of jaw and impact crusher is a specific but also the most common member of the CONSTMACH Mobile Crushing Plant range. These plants are used to crush a wide range of rocks, from limestone to basalt. The presence of a primary jaw crusher enables large, hard rock to be crushed. On the other hand, thanks to the secondary impact crusher, it is possible to produce a good cubic shape of the final products. These kinds of crushing plants are used also for recycling of building demolitions.

- **V and T Series, Mobile Sand Making Plants**

CONSTMACH manufactures different types and sizes of mobile sand making plants. In fact, configuration of our mobile sand making plants are not so different from our other types of mobile crushing plants. Reason of calling this product class as “mobile sand making plant” is because the crusher in the plant is vertical shaft impact crusher (VSI crusher) or tertiary impact crusher. Most of the time, CONSTMACH mobile sand making plants are used in case of needing high ratio of fine material. In other words, if 0-4 mm or similar sizes of fine fractions are needed with more than 50% in overall production amount, our mobile sand making plants are the right choices.

- **PI Series, Mobile Limestone Crushing Plants**

CONSTMACH mobile limestone plants are a special type of mobile crusher which are generally preferred for crushing of relatively softer stones such as limestone. That’s why it is also called as “mobile limestone crusher”. Not only limestone but also other types of soft and middle hard stones can be processed easily by using **CONSTMACH** mobile limestone crushers.

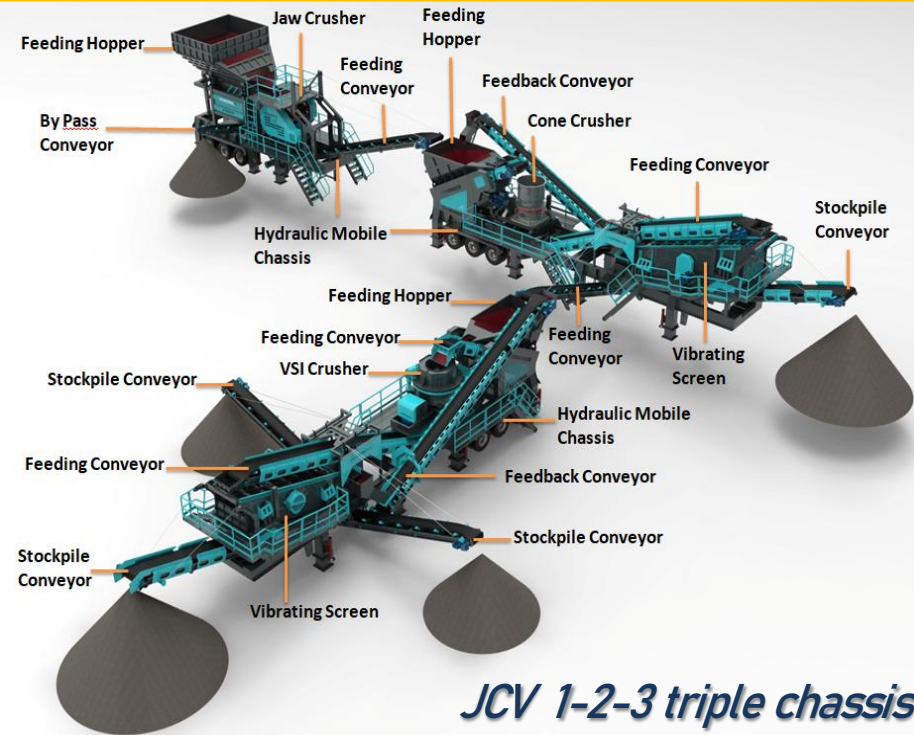
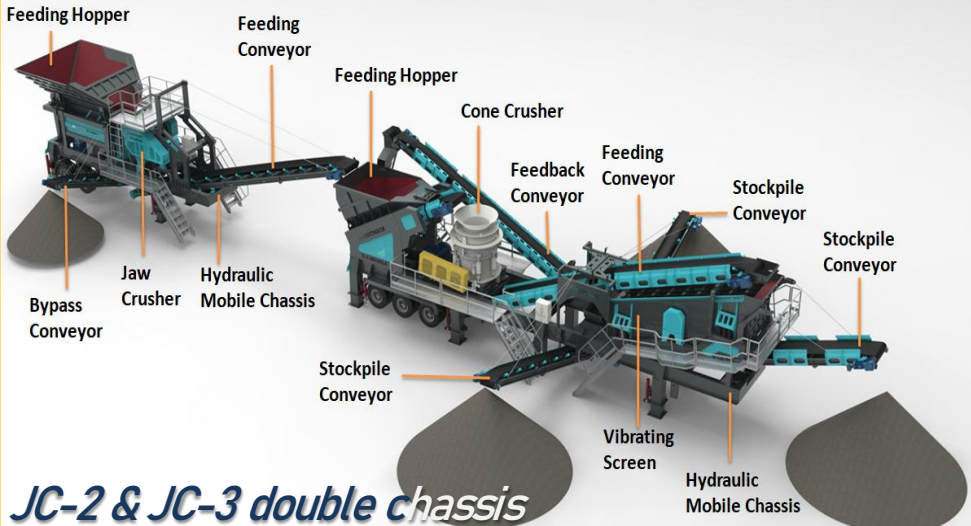
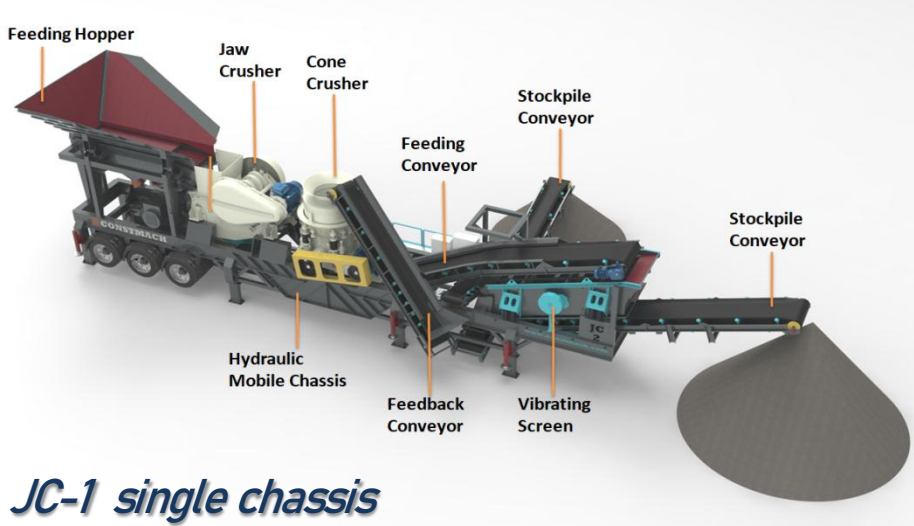
MOBILE HARD STONE CRUSHING PLANTS



Mobile hard stone crusher is a perfect solution for crushing very hard rocks with high abrasiveness and Silica (SiO_2) ratio such as granite, basalt, gabbro etc. The presence of primary jaw crusher enables to crush big and hard rocks. On the other hand, thanks to the secondary cone crusher, it is possible to make the second stage crushing of the hardest materials. Difference of JCV series crushing plants between JC series is the presence of VSI crusher as a third stage crusher. It is obvious that to have a better cubical shaped final products with higher fine material ratio is the advantage of JCV series mobile crushers thanks to the presence of VSI in the system.



MOBILE HARD STONE CRUSHING PLANTS



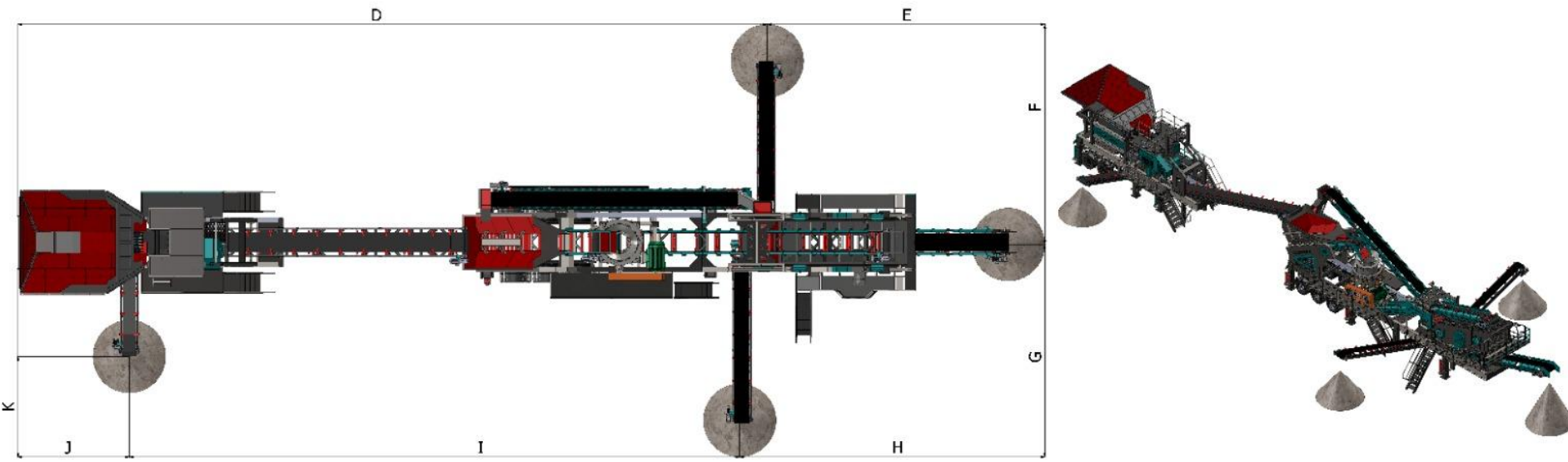
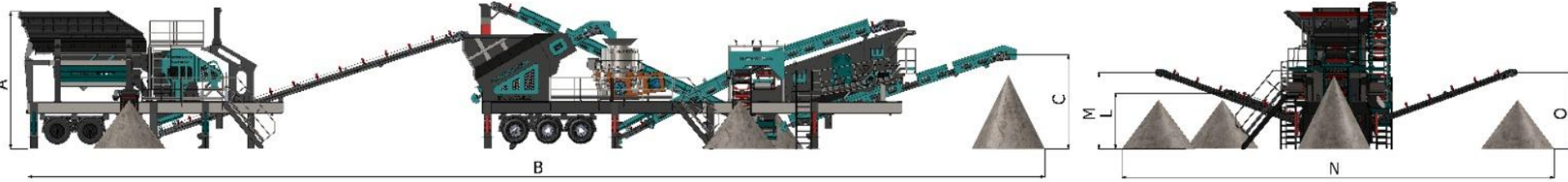
CJC-60, CJC-90 and CJC-110 are the primary jaw crusher models which are present on JC-1, JC-2 and JC-3 respectively. Like in all other CONSTMACH mobile crushers, feeding hopper, grizzly feeder, by-pass (soil) belt conveyor, feeding conveyor between jaw and cone crusher, vibrating screen, feedback and stockpile conveyors, wheeled mobile chassis, dust removing and control systems are the main elements of the plant. In case needed, it is possible to locate a diesel electric generator to the chassis of the plant.

On the 1st trailer, feeding hopper jaw crusher and feeding conveyor and by-pass conveyor are present. Second trailer includes the feeding hopper, cone crusher, vibrating screen, feeding, feedback and stockpile conveyors. Dust removing system is present on both chassis. On the other hand, all JCV series crushers have 3 different trailers. In other words, "JCV" series are combination of "JC" series mobile hard Stone crushers and "V" series mobile sand making plants. VSI 700 CR, VSI 800 CR, VSI 900 CR crushers are present in JCV-1, JCV-2 and JCV-3 respectively. Generally, there are 3 different stockpile conveyors in all models. In some cases, for sure as per clients' needs, it is possible to add one more deck to screen and a stock conveyor. Thus 4th fraction is produced as well.

JC AND JCV SERIES TECHNICAL SPECIFICATIONS

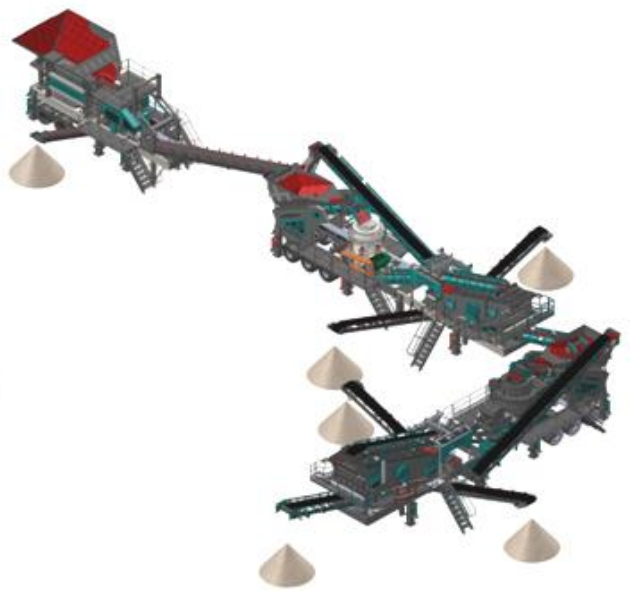
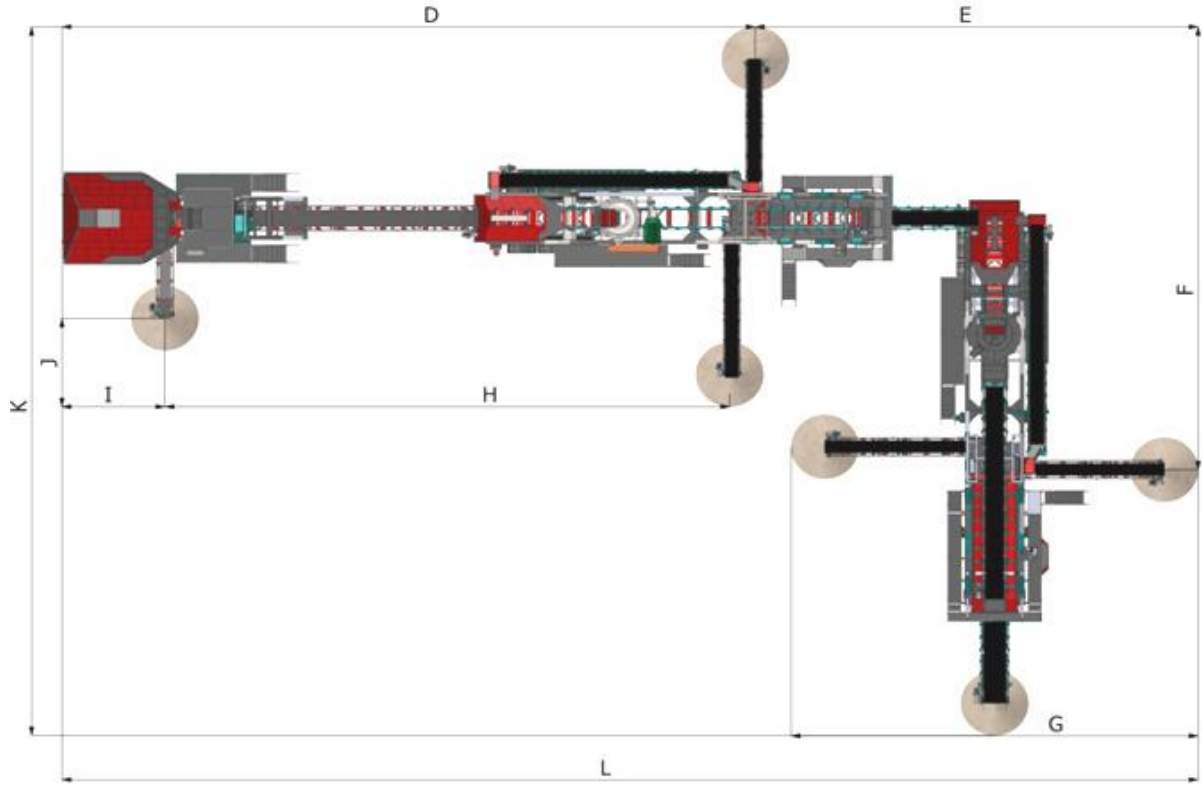
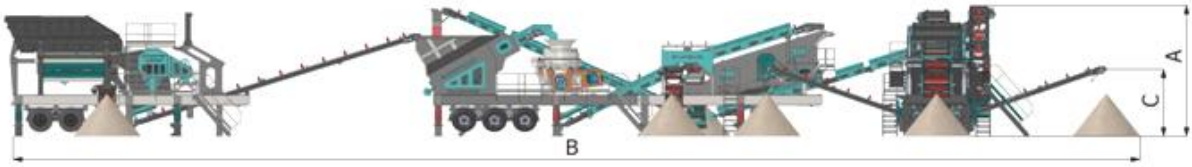
| Model | Production Capacity | Configuration of the Plant | Chassis Type | Maximum Feeding Size | Total Motor Power | Transport Dimensions | Electric Generator Requirement | Total Plant Weight |
|-------|---------------------|---|----------------|----------------------|-------------------|--|--------------------------------|--------------------|
| JC-1 | 60-80 tph | Jaw Crusher + Cone Crusher + Vibrating Screen | Double Chassis | 610 x 380 mm | 200 kW | 10 (L) x 3.1 (W) x 4.4(H) m 17 (L) x 3.8(W) x 4.4(H) m | 400 kVA | 60 Tons |
| JC-2 | 120-150 tph | | Double Chassis | 900 x 650 mm | 315 kW | 11.7 (L) x 3.5 (W) x 4.3(H)m 20 (L) x 3.85 (W) x 4.5(H) m | 650 kVA | 80 Tons |
| JC-3 | 250-300 tph | | Double Chassis | 1.100 x 850 mm | 450 kW | 13 (L) x 3.4(W) x 4.5(H) m 20 (L) x 4.4(W) x 4.5(H) m | 800 kVA | 100 Tons |
| JCV-1 | 60-80 tph | Jaw Crusher + Cone Crusher + VSI Crusher + Vibrating Screen | Triple Chassis | 610 x 380 mm | 370 kW | 10 (L) x 3.1 (W) x 4.4(H) m 17 (L) x 3.8(W) x 4.4(H) m 17 (L) x 3.8(W) x 4.4(H) m | 750 kVA | 90 Tons |
| JCV-2 | 120-150 tph | | Triple Chassis | 900 x 650 mm | 705 kW | 11.7 (L) x 3.5 (W) x 4.3(H)m 20 (L) x 3.85 (W) x 4.5(H) m 16(L) x 3 (W) x 4.4(L) m | 1100 kVA | 120 Tons |
| JCV-3 | 250-300 tph | | Triple Chassis | 1.100 x 850 mm | 905 kW | 13 (L) x 3.4(W) x 4.5(H) m 20 (L) x 4.4(W) x 4.5(H) m 19(L) x 4.4(W) x 4.5(H) m | 1500 kVA | 145 Tons |

JC SERIES MOBILE HARD STONE CRUSHING PLANTS MAIN SIZES



| Model | A | B | C | D | E | F | G | H | I | J | K | L | M | N | O |
|-------|-------|--------|-------|--------|--------|-------|-------|--------|--------|-------|-------|-------|-------|--------|-------|
| JC-1 | 5.074 | 39.913 | 3.475 | 30.389 | 10.260 | 8.945 | 8.323 | 11.498 | 24.037 | 3.558 | 3.314 | 1.719 | 2.931 | 17.275 | 2.931 |
| JC-2 | 5.622 | 41.789 | 3.851 | 30.787 | 11.405 | 9.038 | 8.718 | 12.538 | 25.078 | 4.576 | 4.123 | 2.277 | 3.125 | 17.762 | 3.125 |
| JC-3 | 6.229 | 43.754 | 4.268 | 31.193 | 12.678 | 9.132 | 9.132 | 13.672 | 26.163 | 4.035 | 5.129 | 3.017 | 3.332 | 18.264 | 3.332 |

JCV SERIES MOBILE HARD STONE CRUSHING PLANTS MAIN SIZES



| Model | A | B | C | D | E | F | G | H | I | J | K |
|-------|-------|--------|-------|--------|--------|--------|--------|--------|-------|-------|--------|
| JCV-1 | 6.030 | 47.332 | 1.408 | 30.787 | 16.942 | 8.498 | 11.235 | 25.078 | 4.576 | 4.123 | 16.848 |
| JCV-2 | 6.068 | 48.689 | 2.265 | 30.787 | 18.305 | 14.600 | 14.655 | 25.078 | 4.576 | 4.123 | 24.985 |
| JCV-3 | 6.106 | 50.046 | 3.122 | 30.787 | 19.668 | 20.702 | 18.075 | 25.078 | 4.576 | 4.123 | 33.122 |



MOBILE JAW AND IMPACT CRUSHING PLANTS



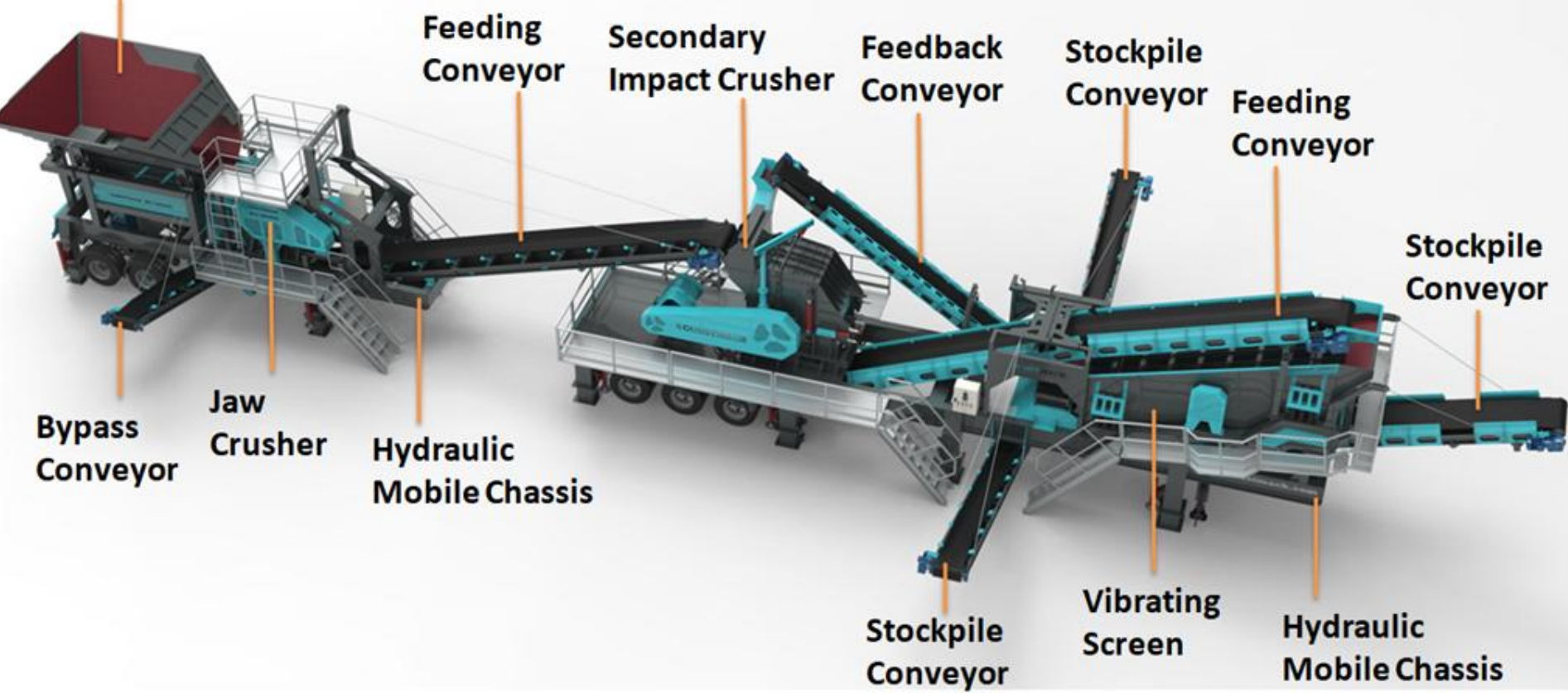
CONSTMACH mobile jaw and impact crushing plants are used to crush a wide range of rocks, from limestone to basalt. The presence of a primary jaw crusher allows big and hard rocks to be crushed. On the other hand, thanks to the secondary impact crusher, it is possible to produce a good cubic shape of final materials from 0 to 60mm according to customer needs.

MOBILE JAW AND IMPACT CRUSHING PLANTS

CJC-60, CJC-90 and CJC-110 are the primary jaw crusher models and CSI 1210 CSI 1212 and CSI-1215 are the secondary impact crusher models which are present on JS-1, JS-2 and JS-3 respectively. Like in all other CONSTMACH mobile crushers, feeding hopper, grizzly feeder, by-pass (soil) belt conveyor, feeding conveyor between jaw and impact crusher, vibrating screen (sieve), feedback and stockpile conveyors, wheeled mobile chassis, dust removing and control systems are the main elements of the plant.

In case needed, it is possible to locate a diesel electric generator to the chassis of the plant. On the 1st trailer, feeding hopper jaw crusher and feeding and by-pass conveyors are present. Second trailer includes the secondary impactor, vibrating screen, feeding, feedback and final material stock conveyors. Dust removing system is present on both chassis. Generally, there are 3 different stockpile conveyors in all models. In some cases, for sure as per clients' needs, it is possible to add one more deck to screen and a stockpile conveyor. Thus 4th fraction is produced as well.

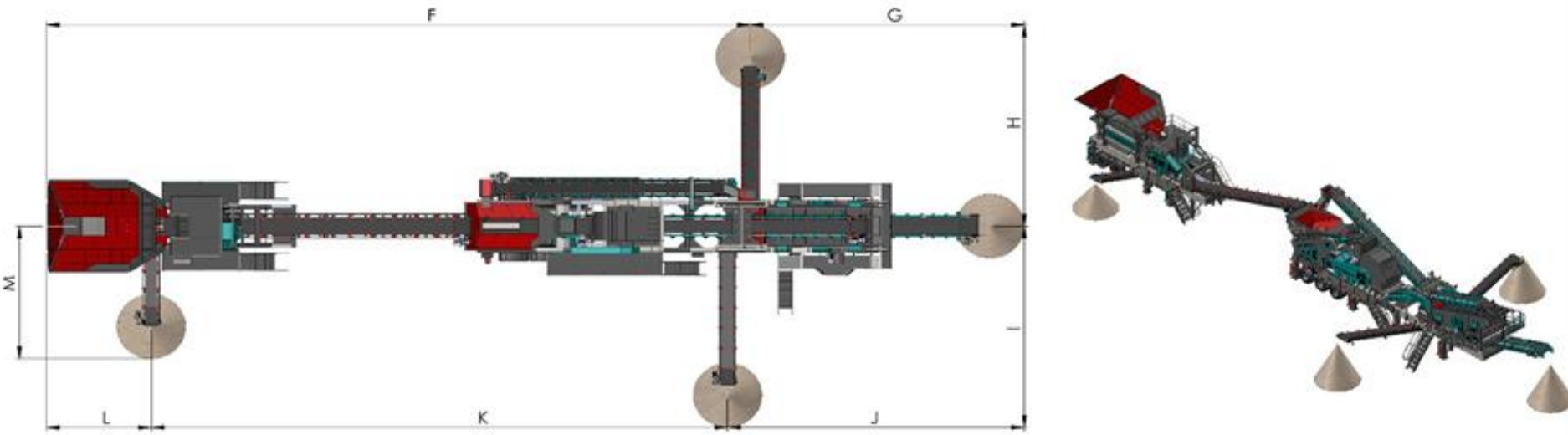
Feeding Hopper



JS-SERIES JAW AND IMPACT CRUSHING PLANTS TECHNICAL SPECIFICATIONS

| Model | JS-1 | JS-2 | JS-3 |
|---------------------------------------|---|---|--|
| Production Capacity | 60-80 t/h | 150-200 t/h | 250-300 t/h |
| Configuration of the Plant | 10m ³ primary hopper Grizzly vibrating feeder CJC-60 Jaw Crusher CSI-1210 Impact Crusher CVS-1640-3 Vibrating Screen | 15m ³ Primary hopper Grizzly vibrating feeder CJC-90 Jaw Crusher CSI-1212 Impact Crusher CVS-1850-3 Vibrating Screen | 20m ³ Primary hopper Grizzly vibrating feeder CJC-110 Jaw Crusher CSI-1215 Impact Crusher CVS-2060-3 Vibrating Screen |
| Maximum Feeding Size | 600 x 380 mm | 850 x 600 mm | 1.050 x 800 mm |
| Feeding Height | 4.500 mm | 4.500 mm | 4.500 mm |
| Total Motor Power | 275 kW | 355 kW | 490 kW |
| Total Plant Weight | 60 Tons | 80 Tons | 105 Tons |
| Electric Generator Requirement | 550 kVA | 700 kVA | 850 kVA |
| Transport Dimensions | 1st chassis 11 (L) x 3(W) x 4.4(H) m 2nd chassis 3.35 x 4.3 x 17.8 | 1st chassis 11 (L) x 3.4(W) x 4.4(H) m 2nd chassis: 18(L) x 3.65(W) x 4.5(H) m | 1st chassis: 13 (L) x 3.4(W) x 4.5(H) m 2nd chassis: 20 (L) x 3.85(W) x 4.5(H) m |
| Chassis type | Double chassis | Double chassis | Double chassis |

JS-SERIES JAW AND IMPACT CRUSHING PLANTS MAIN SIZES



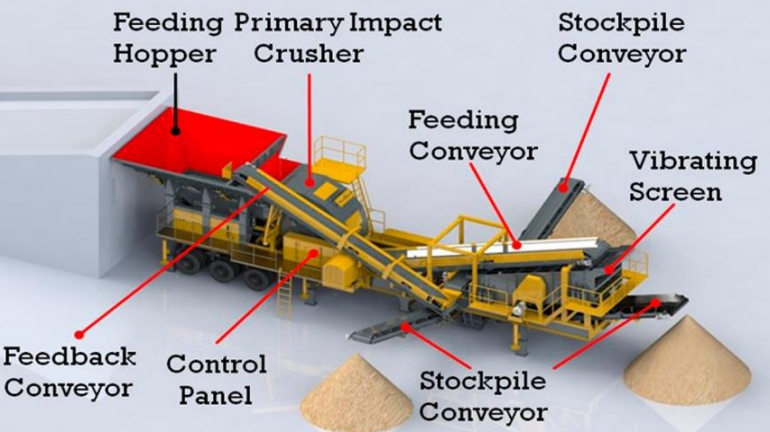
| Model | A | B | C | D | E | F | G | H | I | J | K | L | M |
|-------|-------|--------|-------|--------|--------|--------|--------|--------|--------|--------|--------|-------|-------|
| JS-1 | 5.074 | 39.913 | 3.475 | 30.389 | 10.260 | 8.945 | 8.323 | 11.498 | 24.037 | 3.558 | 3.314 | 1.719 | 2.931 |
| JS-2 | 5.602 | 42.666 | 3.850 | 18.774 | 3.125 | 30.708 | 11.959 | 9.387 | 9.387 | 12.949 | 25.142 | 4.576 | 6.184 |
| JS-3 | 6.229 | 43.754 | 4.268 | 31.193 | 12.678 | 9.132 | 9.132 | 13.672 | 26.163 | 4.035 | 5.129 | 3.017 | 3.332 |



MOBILE CRUSHING PLANTS FOR LIMESTONE AND SOFT ROCK



CONSTMACH PI Series mobile limestone plants are a special type of mobile crusher which are generally preferred for crushing of relatively softer stones such as limestone. That's why it is also called as "mobile limestone crusher". Not only limestones but also other types of soft and middle hard stones can be processed easily by using CONSTMACH mobile limestone crushers. Main difference of these types of plants from other CONSTMACH mobile crushing plants is the type of crusher which is primary impact. These types of crushers are called as also primary impactors or rotor crushers.



- CONSTMACH PI Series** Mobile Limestone Crushing Plants are combination of:
- Feeding Hopper with Grizzly Feeder
 - By-pass (soil) Conveyor
 - Primary Impact Crusher
 - Feeding Belt Conveyor
 - Vibrating Screen with 3 decks
 - Feedback Conveyor for oversize material
 - Stockpile Conveyors
 - Wheeled mobile chassis with hydraulic legs
 - Power & Control Panel
 - Dust Removing System
 - Diesel Electric Generator Set (Optional Application)

PI SERIES TECHNICAL SPECIFICATIONS

| Model | PI-1 | PI-2 |
|---------------------------------------|---|---|
| Production Capacity | 150-200 t/h | 250-300 t/h |
| Configuration of the Plant | 15m ³ Primary Hopper Grizzly Vibrating Feeder CPI-1412 Primary Impact Crusher CVS-1850-3 Vibrating Screen | 25m ³ Primary Hopper Grizzly Vibrating Feeder CPI-1415 Primary Impact Crusher CVS-2060-3 Vibrating Screen |
| Maximum Feeding Size | 900 x 900 mm | 1.000 x 1.000 mm |
| Crusher Opening Sizes | 1.345 x 1.100 mm | 1.600 x 1.100 mm |
| Crusher Rotor Sizes | Ø1.400 x 1.250 mm | Ø1.400 x 1.540 mm |
| Feeding Height | 4.500 mm | 4.500 mm |
| Total Motor Power | 320 kW | 400 kW |
| Total Plant Weight | 49.000 kg | 55.000 kg |
| Electric Generator Requirement | 850 kVA | 1.100 kVA |
| Transport Dimensions | 18(L) x 3.65(W) x 4.5(H) meters | 20 (L) x 3.85(W) x 4.5(H) meters |
| Chassis Type | Single Chassis on Wheels | |

CONSTMACH mobile limestone crushers are classified as PI-1 and PI-2 due to the two different primary impact crushers used in each plant. Although usage of primary impactors is look suitable for processing of softer stones such as limestones, size of the rocks to be fed and also higher production capacity are the real advantages of these types of plants. It is possible to feed up to 1.500 mm by 1.500 mm rocks with 250 to 300 ton per hour capacity by using PI-2.

The only difference between PI-1 and PI-2 is the feeding size and production capacity. Size of rest of equipment of the system is choosen accordingly. It is possible to get 4 different types of final materials by using both plants.

MOBILE SAND MAKING PLANTS



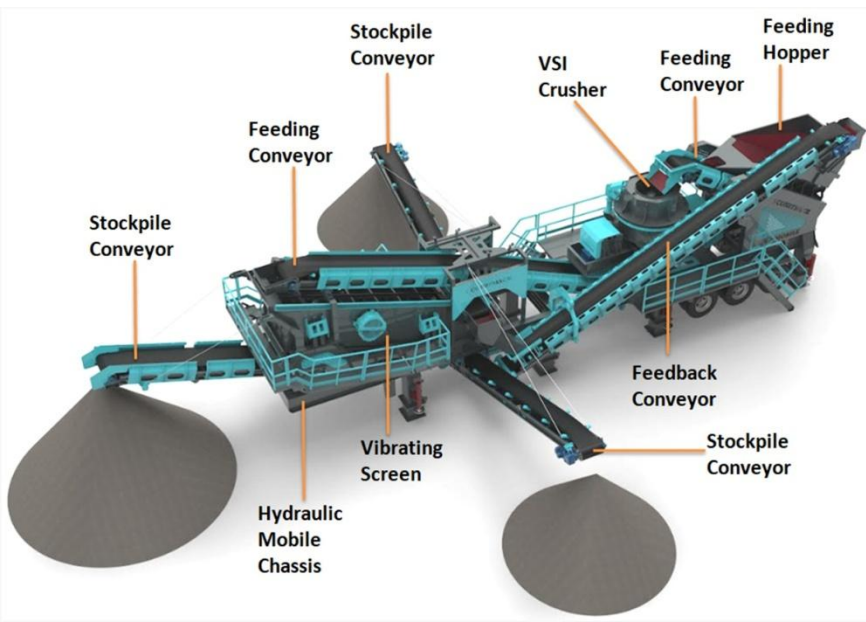
 ALAFAO INTEGRATED
CRUSHING & SCREENING PLANT

V AND T SERIES SAND MAKING PLANTS

CONSTMACH manufactures different types and sizes of mobile sand making plants. In fact, the configuration of our mobile sand making plants is not that different from our other types of Mobile Crushing Plants. The reason for calling this kind of product as “mobile sand making plant” is because the crusher is a vertical shaft impact crusher (VSI crusher) or a tertiary impact crusher. Most of the time, CONSTMACH mobile sand making plants are used in case a high proportion of fine material is needed. In other words, if 0-4mm sand or similar sizes of fine fractions are needed with more than 50% of the total production amount, our mobile sand making plants are the right choice. This equipment is a combination of easy to use and comprising mounting/assembly features that are very easy for its operators. It is possible to equip the feed hopper and the conveyor belts with a hydraulic opening mechanism, so that the plant can be put into operation with the minimum intervention of lifting cranes.

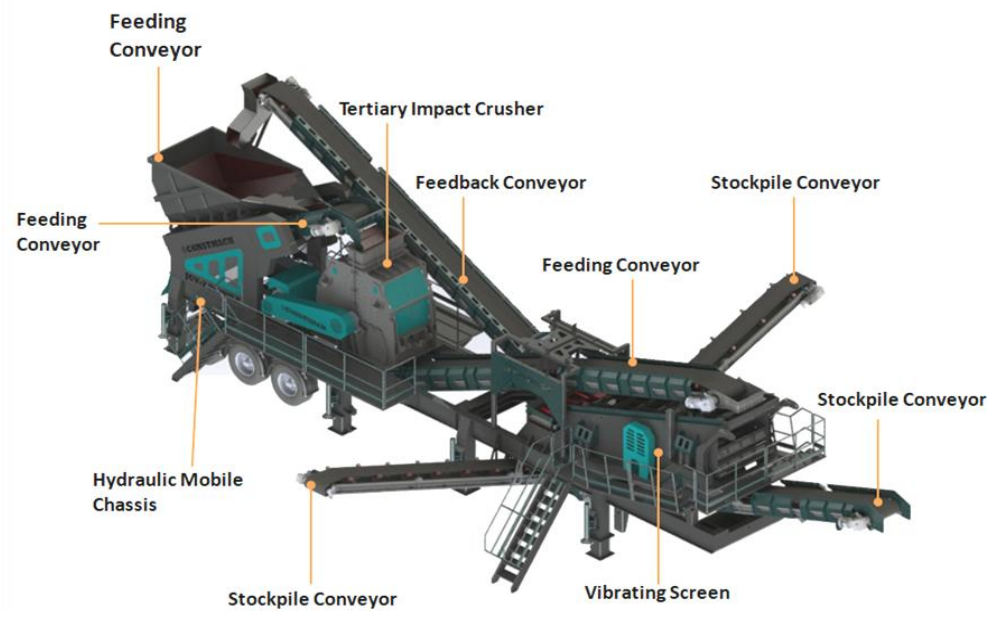
V series Sand Making plants are a combination of:

- Feeding Hopper
- Vertical Shaft Impact Crusher
- Feeding Conveyor between hopper and VSI Crusher
- Conveyor between VSI crusher and vibrating screen
- Vibrating Screen with 3 decks
- Feedback Conveyor for oversize material
- Stockpile Conveyors
- Wheeled mobile chassis with hydraulic legs
- Power & Control Panel
- Dust Removing System
- Diesel Electric Generator Set (Optional Application)



T series Sand Making plants are a combination of:

- Feeding Hopper
- Tertiary Impact Crushers
- Feeding Conveyor between hopper and Tertiary Impact Crusher
- Conveyor between Tertiary crusher and vibrating screen
- Vibrating Screen with 3 decks
- Feedback Conveyor for oversize material
- Stockpile Conveyors
- Wheeled mobile chassis with hydraulic legs
- Power & Control Panel
- Dust Removing System
- Diesel Electric Generator Set (Optional Application)



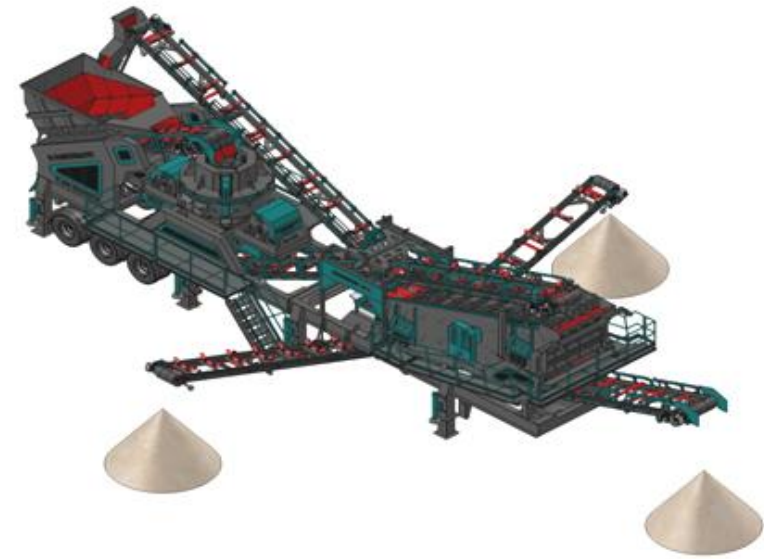
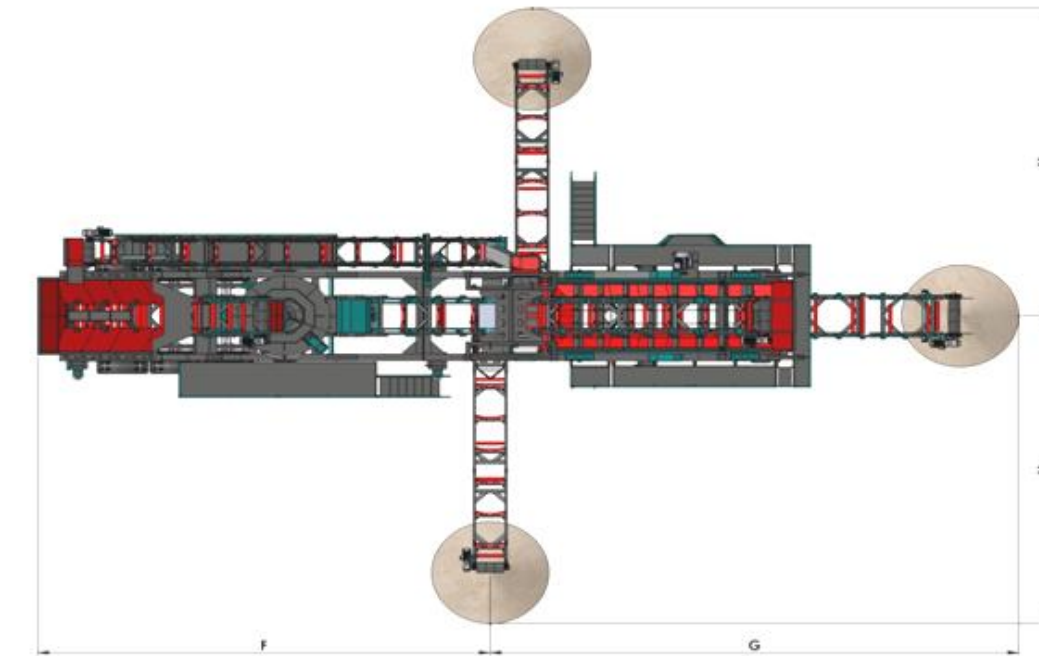
V AND T SERIES SAND MAKING PLANTS TECHNICAL SPECIFICATIONS

| Model | V-70 | V-80 | V-90 | T-75 | T-100 | T-120 |
|---------------------------------------|--|---|--|--|--|--|
| Production Capacity | 100-150 t/h | 150-200 t/h | 200-250 t/h | 60-80 t/h | 80-135 t/h | 120-170 t/h |
| Configuration of the Plant | 10m ³ Hopper VSI-700-CR CVS-1540-3 3Vibrating Screen | 10 m ³ Hopper VSI-800-CR CVS-1850-3 3Vibrating Screen | 10m ³ Hopper VSI-900-CR CVS-2060-3 3Vibrating Screen | 10m ³ Hopper CTC-1275 Tertiary Impact Crusher CVS-1540-3 Vibrating Screen | 10m ³ Hopper CTC-1210 Tertiary Impact Crusher CVS-1850-3 Vibrating Screen | 15m ³ Hopper CTC-1212 Tertiary Impact Crusher Vibrating Screen CVS-2060-3 |
| Maximum Feeding Size | 35 mm | 40 mm | 45 mm | 100 mm | 120 mm | 150 mm |
| Feeding Height | 4.500 mm | 4.500 mm | 4.500 mm | 4.500 mm | 4.500 mm | 4.500 mm |
| Main Configuration | Vertical Shaft Impact Crusher + Vibrating Screen | | | Tertiary Impact Crusher + Vibrating Screen | | |
| Total Motor Power | 170 kW | 390 kW | 440 kW | 220 kW | 270 kW | 320 kW |
| Plant Weight | 32 tons | 40 tons | 45 tons | 34 tons | 43 tons | 49 tons |
| Electric Generator Requirement | 400 kVA | 700 kVA | 850 kVA | 500 kVA | 600 kVA | 750 kVA |
| Transport Dimensions | 3.35 (W) x 4.3 (H) x 17.8 (L) meters | 3.65 (W) x 4.4 (H) x 18.8 (L) meters | 3.85 (W) x 4.5 (H) x 20.8 (L) meters | 3.35 (W) x 4.3 (H) x 17.8 (L) meters | 3.65 (W) x 4.4 (H) x 18.8 (L) meters | 3.85 (W) x 4.5 (H) x 20.8 (L) meters |
| Chassis Type | Single Chassis on Wheels | | | | | |

CONSTMACH V and T series crushing and screening plants can process all kinds of materials, with different levels of hardness and abrasiveness, such as granite, basalt, dolomite, gabbro, silica, limestone, etc...

Production capacity of the V and T series crushing and screening plants varies between the three models and also according to the level of hardness and crushability of the material to be processed. In addition to the 0-4mm sand, it is possible to obtain up to three different fractions at the same time. Generally, there are 3 different stockpile conveyors in all models. In some cases, for sure as per clients' needs, it is possible to add one more deck to screen and a stockpile conveyor. Thus 4th fraction is produced as well.

V AND T SERIES SAND MAKING PLANTS MAIN DIMENSIONS



| Model | A | B | C | D | E | F | G | H |
|-------|-------|--------|-------|-------|--------|--------|--------|-------|
| V-70 | 6.031 | 25.037 | 1.233 | 1.390 | 11.235 | 11.547 | 9.390 | 5.617 |
| V-80 | 6.068 | 25.037 | 2.924 | 2.265 | 14.655 | 11.547 | 11.440 | 7.327 |
| V-90 | 6.105 | 25.037 | 4.157 | 3.122 | 18.075 | 11.547 | 13.490 | 9.037 |
| T-75 | 6.031 | 25.037 | 1.233 | 1.390 | 11.235 | 11.547 | 9.390 | 5.617 |
| T-100 | 6.068 | 25.037 | 2.924 | 2.265 | 14.655 | 11.547 | 11.440 | 7.327 |
| T-120 | 6.105 | 25.037 | 4.157 | 3.122 | 18.075 | 11.547 | 13.490 | 9.037 |



VIBRATING FEEDERS AND HOPPERS



VIBRATING FEEDERS AND HOPPERS TECHNICAL SPECIFICATIONS

CONSTMACH Vibrating Feeders & Hoppers which are used to feed the crushers in our stone crushing lines .Vibrating Feeders are placed before main crushers, primary impact crushers or jaw crushers to get the desired size and to reduce the costs of intermediary crushers, to increase the capacity of the facility, to achieve continuity in the plants and to enhance a homogenous distribution.

Features of CONSTMACH VIBRATING FEEDERS & HOPPERS:

- Smooth vibrating
- Reliable operation
- Long service life
- Suitable for feeding

| Model | Body Size (mm) | Grizzly Length (mm) | Motor Power (kW) | Bunker Volume (m ³) | Capacity (ton/hour) | Weight (kg) |
|--------|------------------|---------------------|------------------|---------------------------------|---------------------|-------------|
| CPG-09 | 2.500 x 520 mm | 820 mm | 2 x 3 kW | 8 – 10 – 15 | 80 – 100 t/h | 8.000 Kg |
| CPG-10 | 3.000 x 850 mm | 1.160 mm | 2 x 4 kW | 10 – 15 – 20 | 150 – 200 t/h | 12.000 Kg |
| CPG-11 | 4.600 x 1.100 mm | 1.400 mm | 2 x 9,2 kW | 15 – 20 – 30 | 200 – 300 t/h | 18.000 Kg |
| CPG-13 | 4.880 x 1.370 mm | 1.840 mm | 2 x 11 kW | 30 – 45 – 50 | 350 – 500 t/h | 26.000 Kg |

VIBRATING FEEDERS & HOPPERS



JAW CRUSHERS



JAW CRUSHERS TECHNICAL SPECIFICATIONS

CONSTMACH JAW CRUSHERS are designed to be able to handle initial crushing process of any type of material from the softest limestone to the hardest granite. CONSTMACH Jaw Crushers are used as the first stage crushers in our stationary and mobile type crushing plants.

High flywheel speeds, jaw angles, safety plates and rear blocks, high performances arised from special geometries, reliability, strength and user friendly setting mechanisms of our Jaw Crushers offer excellent operational advantages to the users. All our Jaw Crushers are equipped with hydraulic setting mechanisms. The hydraulic setting mechanism enables to set the jaw gap according to the requested final product fraction size.

Features of CONSTMACH JAW CRUSHERS:

- Heavy-duty base frame is submerged, arc-welded, then thermally stress relieved.
- Oversized, heavy-duty spherical, self-aligning roller bearings.
- Pitmans of our Jaw Crushers are able to absorbe the heaviest loads thanks to its drop-forged chrome-nickel steel casting material.
- In case of need, **CONSTMACH Jaw Crushers** are equipped with automatic lubrication systems.
- Large flywheels to ensure the inertia is maintained to crush even the hardest materials.

| Model | CJC-60 | CJC-90 | CJC-110 | CJC-130 | CJC-140 |
|---------------------------|--------------|--------------|----------------|------------------|------------------|
| Mouth size (mm) | 600 x 380 mm | 900 x 650 mm | 1.100 x 850 mm | 1.300 x 1.000 mm | 1.400 x 1.100 mm |
| Machine weight (Kg) | 6.000 Kg | 11.400 Kg | 33.000 Kg | 42.500 Kg | 52.000 Kg |
| Required power (kW) | 30 kW | 75 kW | 132 kW | 160 kW | 200 kW |
| Shaft speed (rpm) | 340 rpm | 330 rpm | 230 rpm | 220 rpm | 220 rpm |
| Adjust min./max. (mm) | 30 – 100 mm | 50 – 150 mm | 60 – 200 mm | 100 – 280 mm | 120 – 280 mm |
| Production capacity (t/h) | 60 – 110 t/h | 90 – 270 t/h | 150 – 420 t/h | 275 – 790 t/h | 420 – 850 t/h |



PRIMARY IMPACT CRUSHERS



 **ALAFQA INTEGRATED**
CRUSHING & SCREENING PLANT

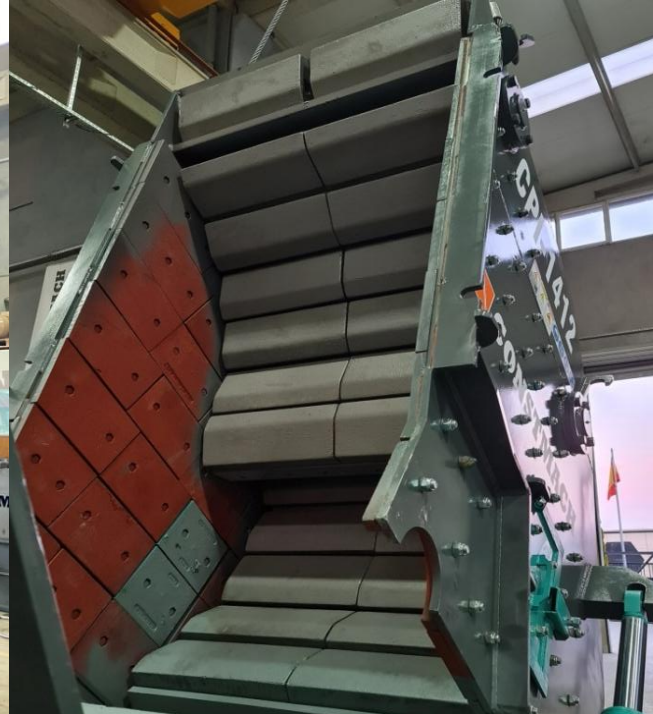
PRIMARY IMPACT CRUSHER TECHNICAL SPECIFICATIONS

CONSTMACH Primary Impact Crushers are excellent solutions for crushing soft & middle hard materials with high production capacity and cubical shaped products. High reduction ratio of our Primary Impact Crushers allows secondary crushing requirements and helps to maximize the plant capacities. Thanks to its hydraulic setting mechanism, both settings and maintenance are done easily.

Features of CONSTMACH PRIMARY IMPACT CRUSHERS:

- Thick side sheets, with manganese liners in wear areas
- Large spherical self-aligning roller bearings
- Rotor is arc-welded, then thermally stress relieved.
- Manganese steel impeller bars
- Large inlet feed opening with chain curtains to protect against rebounding
- High reduction ratio
- Unobstructed discharge openings

| Model | CPI-1412 | CPI-1415 | CPI-1620 |
|---------------------------|------------------|------------------|------------------|
| Max Feed Size (mm) | 900 x 900 mm | 1.000 x 1.000 mm | 1.300 x 1.300 mm |
| Crusher Weight (kg) | 23.000 Kg | 28.000 Kg | 52.000 Kg |
| Motor Power (kW) | 250 kW | 315 kW | 2 x 250 kW |
| Rotor Diameter (mm) | 1.400 x 1.250 mm | 1.400 x 1.540 mm | 1.600 x 2.000 mm |
| Production Capacity (t/h) | 200 – 250 t/h | 350 – 400 t/h | 400 – 600 t/h |



PRIMARY IMPACT CRUSHERS

SECONDARY IMPACT CRUSHERS



ALAFAQ INTEGRATED
CRUSHING & SCREENING PLANT

SECONDARY IMPACT CRUSHERS TECHNICAL SPECIFICATIONS

CONSTMACH Secondary Impact Crushers offer high capacity, cubic shape and reduced wear costs. Besides having the greatest durability, our ease of maintenance means less total downtime. Thanks to their three step pendulums, CONSTMACH Secondary Impact Crushers can make primary, secondary and tertiary crushing operations.

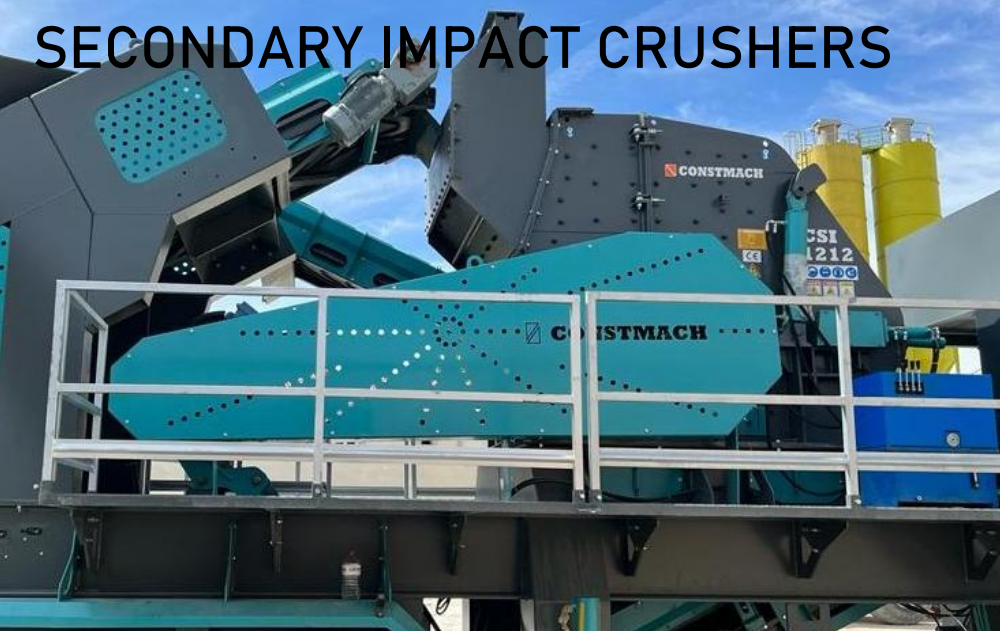
Features of CONSTMACH SECONDARY IMPACT CRUSHERS

High strength, open disc, stress-relieved rotor

- Large spherical roller bearings
- High chrome or manganese alloy breaker bars
- Rear doors allow access to the breaker plate liner bolts
- Two hydraulic cylinders for opening the body
- High reduction ratio
- Large discharge opening
- Hydraulic adjustment system allows breaker plate opening changes while crushing

| Model | CSI-1210 | CSI-1212 | CSI-1215 |
|---------------------------|------------------|------------------|------------------|
| Max feeding size (mm) | 200 mm | 250 mm | 350 mm |
| Crusher weight (Kg) | 17.500 Kg | 21.500 Kg | 26.000 Kg |
| Motor power (kW) | 160 kW | 200 kW | 250 kW |
| Rotor Diameter (mm) | 1.100 x 1.100 mm | 1.100 x 1.250 mm | 1.100 x 1.500 mm |
| Production capacity (t/h) | 120 – 150 t/h | 200 – 250 t/h | 300 – 350 t/h |

SECONDARY IMPACT CRUSHERS



TERTIARY IMPACT CRUSHERS



TERTIARY IMPACT CRUSHERS TECHNICAL SPECIFICATIONS

CONSTMACH Tertiary Impact Crusher is ideally suited to crush medium-hard, non-abrasive materials down to a cubical, well graded product size of 0 – 5 mm (60% passing) in a single pass. Due to its added control over the upper product sizes and high reduction ratios, it can efficiently operate in closed circuit on smaller product fractions. Hydraulic opening mechanism helps the users to do the maintenance and settings operations easily.

Features of CONSTMACH TERTIARY IMPACT CRUSHERS:

- High reduction ratio
- Cubical product with high crush count
- Selective crushing by speed and breaker plate adjustment
- Interchangeable wear parts
- Hydraulic adjustment and opening mechanism

| Model | CTC-1275 | CTC-1210 | CTC-1212 | CTC-1215 |
|---------------------------|----------------|------------------|------------------|------------------|
| Max feed size (mm) | 100 mm | 120 mm | 150 mm | 150 mm |
| Crusher weight (Kg) | 9.500 Kg | 12.500 Kg | 15.500 Kg | 18.500 Kg |
| Motor power (kW) | 110 kW | 160 kW | 200 kW | 250 kW |
| Rotor Diameter (mm) | 1.100 x 750 mm | 1.100 x 1.000 mm | 1.100 x 1.200 mm | 1.100 x 1.500 mm |
| Rotor speed (rpm) | 800-900 rpm | 800-900 rpm | 800-900 rpm | 800-900 rpm |
| Production capacity (t/h) | 60 – 80 t/h | 80 – 135 t/h | 120 – 170 t/h | 230 – 250 t/h |

TERTIARY IMPACT CRUSHERS



VSI CRUSHERS



 **ALAFAQ INTEGRATED**
CRUSHING & SCREENING PLANT

CONSTRACH

VSI1900CR

VSI1900CR

VSI CRUSHERS

CONSTMACH Vertical Shaft Impact Crushers are known as also SAND MAKING MACHINES and used as a tertiary stage crusher to get high ratio of fine material and to give cubical shape to the products that are coming through the secondary crushers. Any type of materials, especially the hard stones such as basalt and granite with maximum 45 mm size which are crushed by secondary crushers are fed to **Vertical Shaft Impact Crushers**.



VERTICAL SHAFT IMPACT CRUSHER TECHNICAL SPECIFICATIONS

Features of CONSTMACH VSI CRUSHERS:

- Four interchangeable crushing chambers allow for changes in material type and product specifications
- Variable speed impeller or rotor allows for changes in material type and product specifications
- High reduction ratio
- Large symmetrical feed box
- Four interchangeable crushing chambers allow for changes in feed size and tonnage requirements
- Heavy-duty bearings
- Automatic lubrication system
- Vibration Sensor

| Model | VSI-700-CR | VSI-800-CR | VSI-900-CR | VSI-1000-OR |
|---------------------------|--------------------|--------------------|--------------------|---------------|
| Max feeding size (mm) | 35 mm | 40 mm | 45 mm | 90 mm |
| Machine weight (kg) | 6.500 Kg | 12.000 Kg | 14.500 Kg | 15.000 Kg |
| Crusher motor power (kW) | 110 kW | 2 x 160 kW | 2 x 185 kW | 2 x 200 kW |
| Rotor Diameter (mm) | Ø700 mm | Ø900 mm | Ø900 mm | Ø975 mm |
| Rotor Speed (m/s) | 45, 52, 58, 60 m/s | 45, 52, 58, 60 m/s | 45, 52, 58, 60 m/s | 58, 60 m/s |
| Production capacity (t/h) | 65 – 90 t/h | 190 – 250 t/h | 200– 300 t/h | 250 – 400 t/h |



VIBRATING SCREENS



VIBRATING SCREENS

CONSTMACH **Vibrating Screens** are highly preferable screening equipments for the purpose of screening all types of material owing to its durable and simple design. Modular structure allows users to change the spare parts and handle the maintenance activities easily. CONSTMACH **Vibrating Screens** can be produced as “driven from top” or “driven from center” versions. Screen meshes material can be made of steel or polyurethane according to hardness level of the material to be screened.



Main features of CONSTMACH VIBRATING SCREENS:

- Single, double, triple, quad deck configurations available
- Crowned or flat deck support frames (stress relieved)
- Precision machined and ground forged steel eccentric shaft/s
- Superior bearing fit and shaft strength
- Maximum bearing performance with branded grease or oil
- Bearings from SKF, FAG, Timken
- Huck bolt fastener construction provides exceptional reliability
- Replaceable bolted and welded, abrasion resistant, steel lined feedbox and discharge lips

VIBRATING SCREENS TECHNICAL SPECIFICATIONS

| Model | Number of Decks | Layer Dimensions (mm) | | Production Capacity (t/h) | Motor (kW) | Weight (Kg) |
|----------|-----------------|-----------------------|------------------|---------------------------|-------------|-------------|
| CVS-1240 | 2 | 4,8 m ² | 1.200 X 4.000 mm | 70 – 95 t/h | 7,5 kW | 7.400 Kg |
| | 3 | | | | 11 kW | 7.700 Kg |
| | 4 | | | | 11 kW | 8.000 Kg |
| CVS-1640 | 2 | 6,4 m ² | 1.600 X 4.000 mm | 100 – 130 t/h | 11 kW | 13.500 Kg |
| | 3 | | | | 15 kW | 14.000 Kg |
| | 4 | | | | 15 kW | 14.750 Kg |
| CVS-1650 | 2 | 8 m ² | 1.600 X 5.000 mm | 130– 160 t/h | 11 kW | 14.000 Kg |
| | 3 | | | | 15 kW | 14.750 Kg |
| | 4 | | | | 18,5 kW | 15.500 Kg |
| CVS-1850 | 2 | 9 m ² | 1.800 X 5.000 mm | 140– 180 t/h | 11 kW | 16.000 Kg |
| | 3 | | | | 15 kW | 16.750 Kg |
| | 4 | | | | 18,5 kW | 17.500 Kg |
| CVS-2050 | 2 | 10 m ² | 2.000 X 5.000 mm | 170– 220 t/h | 15 kW | 16.500 Kg |
| | 3 | | | | 18,5 kW | 17.400 Kg |
| | 4 | | | | 22 kW | 18.200 Kg |
| CVS-2060 | 2 | 12 m ² | 2.000 X 6.000 mm | 192 – 240 t/h | 15 kW | 17.500 Kg |
| | 3 | | | | 18,5 kW | 19.000 Kg |
| | 4 | | | | 22 kW | 20.500 Kg |
| CVS-2470 | 2 | 16,8 m ² | 2.400 X 7.000 mm | 268,8 – 336 t/h | 2 x 15 kW | 20.500 Kg |
| | 3 | | | | 2 x 18,5 kW | 22.000 Kg |
| | 4 | | | | 2 x 22 kW | 24.000 Kg |



STATIONARY SCREENING & WASHING PLANTS



CONSTMACH designs and manufactures its **washing** and **sorting** plants with different configurations and production capacities according to the needs and preferences of each client.

The production capacity of our washing and sorting plants varies between 50t/h and 500t/h.

The configurations and distributions of our crushing and screening plants are designed according to different criteria such as:

- Required production capacity.
- Type and abrasiveness of the material to be treated.
- Maximum size of the feeding material.
- Type of washing required.
- Sizes of the final fractions required.

Our design team configures projects using our different types and sizes of feeders, crushers, screens, hoppers, washing equipment and conveyors.

The main objective of our company is always to help our customers choose the most suitable products for their real needs and help them avoid wrong investments, which will cause financial losses and/or high operating costs.



STATIONARY SCREENING & WASHING PLANTS



MOBILE SCREENING & WASHING PLANT

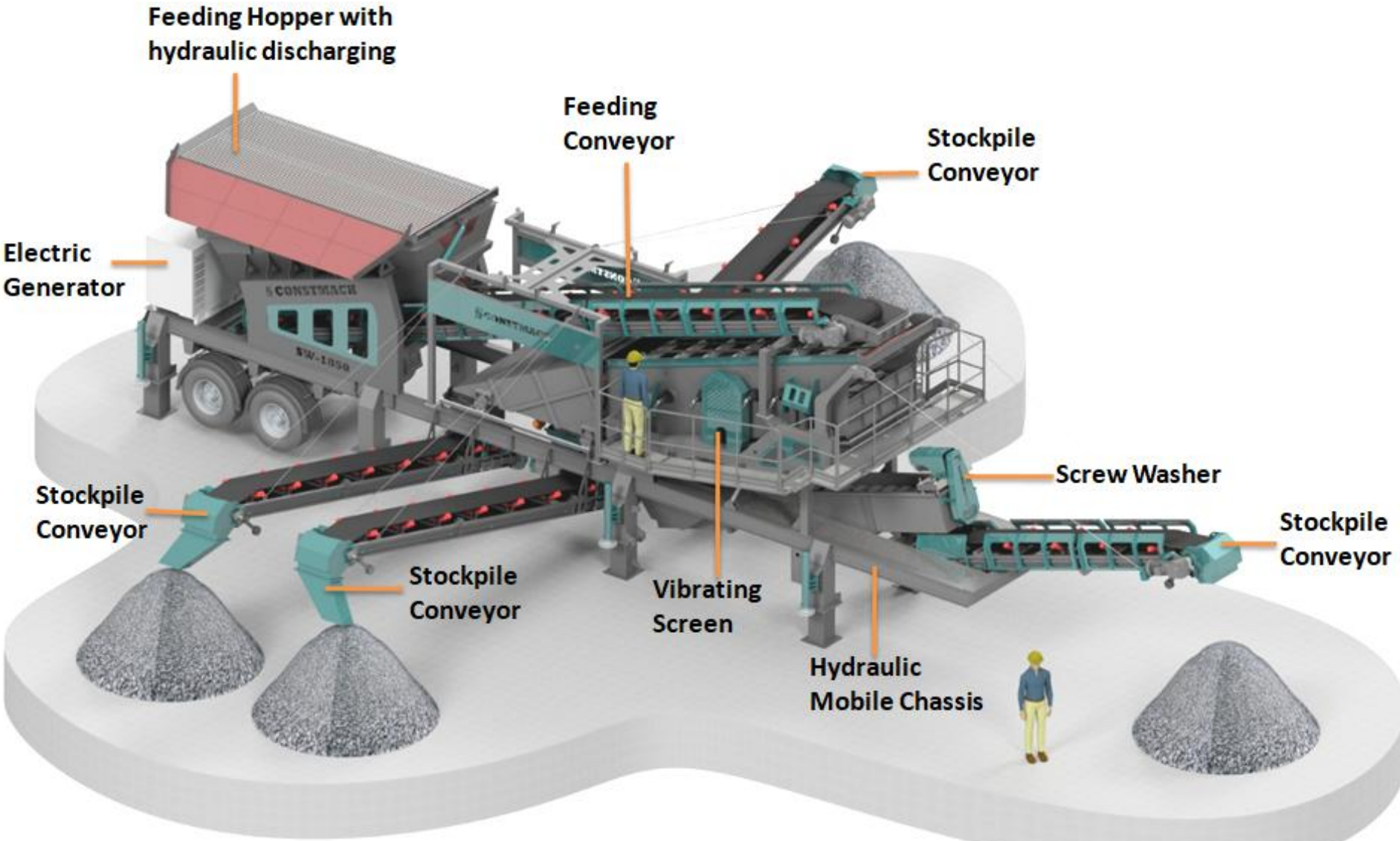
CONSTMACH SW Series Mobile Screening & Washing plants are used for natural screening and washing of sands and gravels. The biggest advantage of our mobile screening and washing plants is easy mobility, quick installation and relatively smaller land requirement. All necessary equipment for screening and washing process are combined on a single wheeled chassis. In case of need, it is possible to adapt an electric generator to chassis of the plant and also to remove the washer and use the plant for only screening purpose.



MOBILE SCREENING & WASHING PLANT TECHNICAL SPECIFICATIONS

CONSTMACH SW Series Mobile Screening & Washing plants is combination of:

- Feeding Hopper with hydraulic discharging
- Feedback Conveyor between feeding hopper and vibrating screen
- Vibrating Screen with washing system
- Screw Washer
- Fold-up type Stockpile Conveyors
- Wheeled mobile chassis with hydraulic legs
- Automation System with PLC and remote controller
- Diesel Electric Generator Set (Optional Application)



MOBILE SCREENING & WASHING PLANT TECHNICAL SPECIFICATIONS

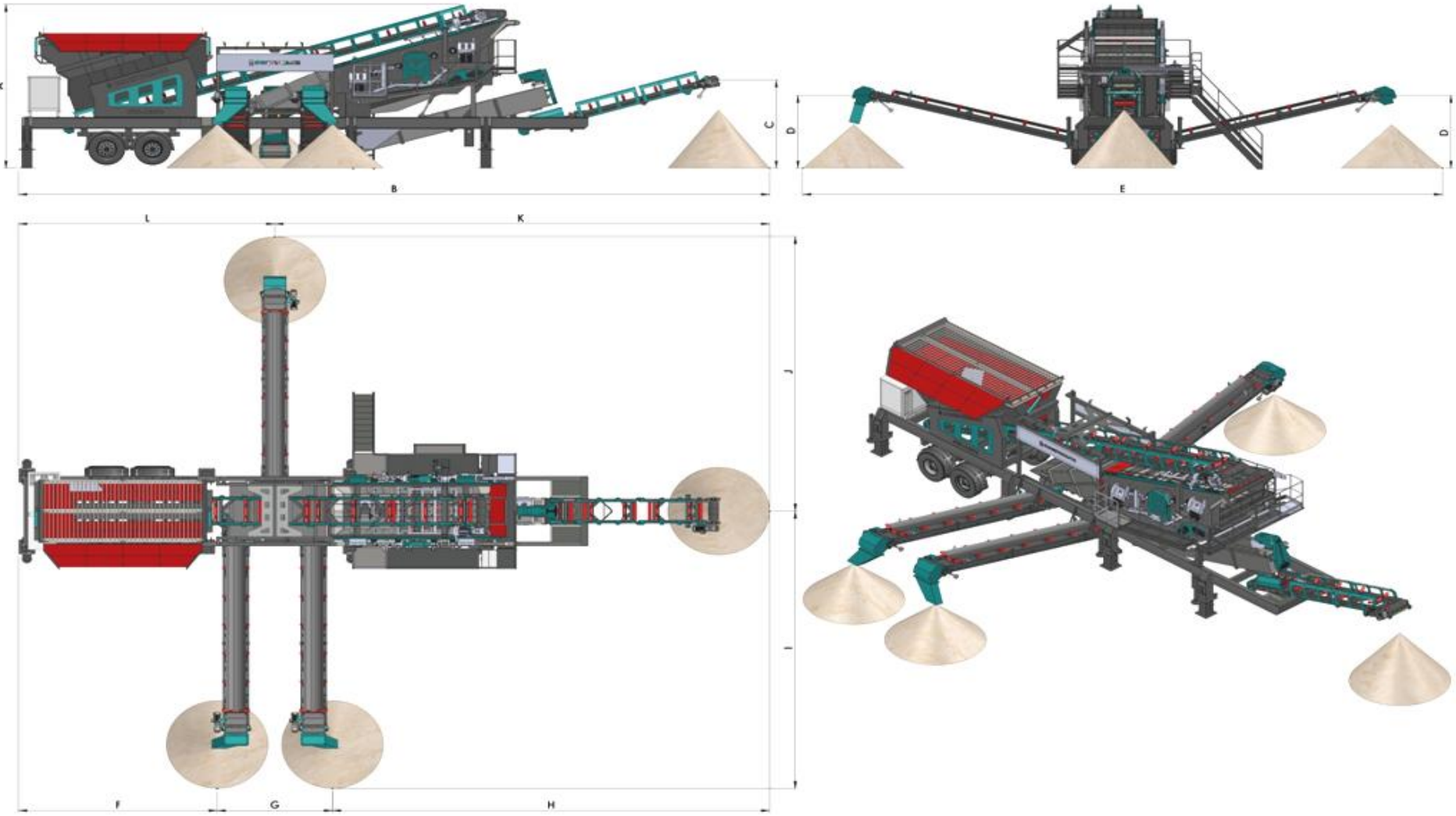
CONSTMACH SW Series Mobile Screening & Washing plants are classified according to production capacity of the models:

| Model | SW-1240 | SW-1640 | SW-1850 | SW-2060 |
|--------------------------------|------------------------------------|--------------------------------------|------------------------------------|------------------------------------|
| Production capacity (t/h) | 60 t/h | 80 t/h | 150 t/h | 200 t/h |
| Plant Weight | 20 tons | 24 tons | 28 tons | 32 tons |
| Vibrating Screen | CVS-1240 | CVS-1640 | CVS-1850 | CVS-2060 |
| Sand Washing Screw | CSW-40 | CSW-50 | CSW-60 | CSW-70 |
| Chassis dimensions | 2.80 (W) x 4.2 (H) x 15 (L) meters | 3.25 (W) x 4.3 (H) x 15.5 (L) meters | 3.65 (W) x 4.4 (H) x 16 (L) meters | 3.85 (W) x 4.5 (H) x 17 (L) meters |
| Total Motor Power | 37 kW | 41 kW | 50 kW | 55 kW |
| Electric Generator Requirement | 75 kVA | 85 Kva | 100 kVA | 120 kVA |
| Chassis Type | Single Chassis on Wheels | | | |

CONSTMACH Mobile Screening & Washing plants are equipped with high-tech automation system including top class SIEMENS – SCHNEIDER brand electronic components and PLC . The plant is operated by just a tablet controller.

Overall dimensions of **CONSTMACH Mobile Screening & Washing plants** are determined according to international road transport regulations and it is transported between jobsites easily.

SW SERIES MOBILE SCREENING & WASHING PLANT MAIN SIZES



| Model | A | B | C | D | E | F | G | H | I | J | K | L |
|---------|-------|--------|-------|-------|--------|-------|-------|--------|-------|-------|--------|-------|
| SW-1240 | 4.700 | 18.171 | 2.390 | 1.868 | 9.968 | 5.399 | 1.500 | 10.503 | 9.168 | 8.856 | 11.659 | 5.180 |
| SW-1640 | 4.515 | 19.196 | 2.697 | 2.175 | 14.386 | 5.619 | 2.094 | 11.675 | 9.310 | 9.104 | 13.100 | 5.964 |
| SW-1850 | 5.580 | 22.073 | 3.004 | 2.482 | 18.804 | 5.839 | 3.387 | 12.847 | 9.452 | 9.352 | 14.541 | 6.748 |
| SW-2060 | 6.263 | 22.332 | 3.331 | 2.640 | 19.200 | 4.794 | 3.913 | 14.019 | 9.600 | 9.600 | 15.979 | 7.532 |



SAND WASHING SCREWS



SAND WASHING SCREWS TECHNICAL SPECIFICATIONS

CONSTMACH Screw Washers are used to wash fine materials by featuring high capacity, easy maintenance, Easily replaceable spare parts, convenient assembly and high performance. Constmach sand washing screws process gravel, sand or crushed 0-5 mm stone containing excessive caly/dirt.

Features of CONSTMACH SCREW WASHERS

- Heavy duty steel construction
- Durable body and long life
- Heavy duty gear box
- Large operating service factor resulting in long life cycle
- Replaceable bolted rubble paddles
- Single or twin screw options

| Model | CHY-50 | CHY-60 | CHY-75 | CHY-80 |
|---------------------------|------------------------|------------------------|------------------------|------------------------|
| Screw size (mm) | Ø500 x 5.000 mm | Ø600 x 6.000 mm | Ø750 x 7.500 mm | Ø800 x 8.000 mm |
| Machine weight (Kg) | 2.800 Kg | 5.200 Kg | 5.800 Kg | 6.250 Kg |
| Required power (kW) | 5,5 kW | 2 x 7,5 kW | 2 x 7,5 kW | 2 x 11 kW |
| Spinning speed (rpm) | 24 rpm | 20 rpm | 20 rpm | 20 rpm |
| Production capacity (t/h) | 25 – 45 t/h | 40 – 75 t/h | 45 – 80 t/h | 50 – 90 t/h |
| Required water (m3/h) | 25 – 45 m ³ | 35 – 55 m ³ | 40 – 60 m ³ | 45 – 65 m ³ |



WHEEL (BUCKET) WASHERS



WHEEL(BUCKET) WASHER TECHNICAL SPECIFICATIONS

CONSTMACH Wheel Washers are designed for washing out the clay in the sand for the purpose of increasing the sand quality. Thanks to their simple design they have an ease in assembly process. These bucket wheels provide advantages to the users with low power consumption and water saving.

Features of CONSTMACH Wheel Washers

- Simple structure;
- Water saving;
- Low power consumption;
- Ease of installation.

| Model | Required power (kW) | Spinning speed (rpm) | Cproduction capacity (t/h) | Wheel diameter (mm) | Bucket Size | No. of Buckets |
|----------------|---------------------|----------------------|----------------------------|---------------------|----------------|----------------|
| CKY-80 | 5,5 kW | 2,5 rpm | 80 – 90 t/h | Ø 3.000 mm | 800 x 550 mm | 40 |
| CKY-100 | 7,5 kW | 2,5 rpm | 110 – 120 t/h | Ø 3.000 mm | 1.000 x 550 mm | 40 |



DEWATERING SCREENS & HYDROCYCLONES



DEWATERING SCREEN & HYDROCYCLONES TECHNICAL SPECIFICATIONS

CONSTMACH Dewatering Screens & Hydrocyclones are excellent solutions for washing the fine materials with up to 7 mm size. The biggest advantage of choosing **Dewatering Screens & Hydrocyclones** in fine material washing applications is to save the particuls in sand even with 50 microns size. This helps to user to do production according to any type of project requirements since to keep the micronized material inside the sand after washing is so difficult result with classical washing systems such as screw, wheel etc.

Features of CONSTMACH Dewatering Screens & Hydrocyclones.

- Micronized material saving,
- Water saving,
- Low power & water consumption;
- Ease of maintenance.
- Long life PU screen meshes
- Dry final material which is easy to stock

| Model | CDS-1225 | CDS-1635 | CDS-2040 |
|-----------------------------------|------------------|------------------|---------------------|
| Dewatering screen dimensions (mm) | 1.200 x 2.500 mm | 1.600 x 3.500 mm | 2.000 x 4.000 mm |
| Dewatering screen Power(kW) | 2 x 4,5 kW | 2 x 7,5 kW | 2 x 11 kW |
| Production Capacity (t/h) | 60 – 80 t/h | 100 – 150 t/h | 150 – 200 t/h |
| Hydrocyclone Size | 20" (Ø500 mm) | 26" (Ø660 mm) | 2 x 26" (Ø660 mm) |
| Water pump | 6 / 4 inch | 8 / 6 inch | 10 / 8 inch |



BELT CONVEYORS



BELTS CONVEYOR TECHNICAL SPECIFICATIONS

CONSTMACH Belt Conveyors are used in our concrete batching and stone crushing & screening plants to weigh, feed, transfer and stock the materials.

CONSTMACH Belt Conveyors are equipped with high quality and heavy duty electric motors and gearboxes. In addition, 4 layers high quality belt rubbers, long life rollers, rubber coated drums, walking platforms, durable & strong steel chassis, emergency stop buttons are other elements of our belt conveyors. As an optional application, our conveyors can be covered to reduce dust extraction to the environment. In addition to the conveyors which are part of our complete lines, our company manufactures also conveyors for our clients' existing plants with the requested sizes.

| Model | CBC-500 | CBC-650 | CBC-800 | CBC-1.000 | CBC-1.200 |
|-----------------|--|---------|---------|-----------|-----------|
| Band width (mm) | 500 mm | 650 mm | 800 mm | 1.000 mm | 1.200 mm |
| Power equipment | Reducer motor, or Motor and Reducer with V-belt transmission | | | | |
| Rubber band | Smooth or ribbed rubber band depending on application, 4 tarpaulin quality band is applied as standard | | | | |
| Bearings | Spherical roller double row spherical roller bearings, SN type split housings | | | | |
| Inner scraper | RV-shaped rubber scraper next to transfer drum | | | | |
| Driving drum | Rubberized and vulcanized with diamond grooves for greater grip on the band, with tightening rings on the axis | | | | |
| Transfer drum | Rubberized and vulcanized with diamond grooves for greater grip on the band, with tightening rings on the axis | | | | |
| Support rollers | Heavy series support rollers for mining, measures according to belt width and application | | | | |

BELT CONVEYORS



REFERENCES



SEE THE CRUSHING AND SCREENING PLANTS OF OUR HAPPY AND SATISFIED CUSTOMERS >>>



FIX JCV-3 / STATIONARY CRUSHING AND SCREENING PLANT

 **CONSTMACH**



PARAGUAY



FIX JCV - 3 / STATIONARY CRUSHING AND SCREENING PLANT

CONSTMACH



ALBANIA



FIX PI - 2 / STATIONARY CRUSHING AND SCREENING PLANT

CONSTMACH



ROMANIA



FIX JCV-3 / STATIONARY CRUSHING AND SCREENING PLANT

CONSTMACH



SPAIN



FIX V-90 / STATIONARY CRUSHING AND SCREENING PLANT

 **CONSTMACH**



BENIN



FIX JCC-2 / STATIONARY CRUSHING AND SCREENING PLANT



ALAFQA INTEGRATED
CRUSHING & SCREENING PLANT



NIGER



FIX JCC - 3 / STATIONARY CRUSHING AND SCREENING PLANT



ALAFAQ INTEGRATED
CRUSHING & SCREENING PLANT

IVORY COAST



FIX JC - 3 / STATIONARY CRUSHING AND SCREENING PLANT

 **CONSTMACH**



STATIONARY CRUSHING AND SCREENING PLANT

MOROCCO

 **CONSTMACH**



STATIONARY CRUSHING AND SCREENING PLANT

CAMEROON



ALAFaq INTEGRATED

CRUSHING & SCREENING PLANT

Sales@alafaqintegrated.com www.alafaqintegrated.com



CSI - 1210 / SECONDARY IMPACT CRUSHER

ESTONIA





ALFAQ INTEGRATED
CRUSHING & SCREENING PLANT



VSI 700 CR / VERTICAL SHAFT IMPACT CRUSHER

HUNGARY



ALAFAQ INTEGRATED
CRUSHING & SCREENING PLANT

HUNGARY



VSI 1000 / OPEN ROTOR VERTICAL SHAFT IMPACT CRUSHER



ALAFQA INTEGRATED

CRUSHING & SCREENING PLANT

Sales@alafaqintegrated.com www.alafaqintegrated.com



JS - 2 / MOBILE CRUSHING AND SCREENING PLANT

SPAIN



ALAFQA INTEGRATED

CRUSHING & SCREENING PLANT

Sales@alafaqintegrated.com www.alafaqintegrated.com



JC - 3 / MOBILE CRUSHING AND SCREENING PLANT

GABON



ALAFIQ INTEGRATED

CRUSHING & SCREENING PLANT

Sales@alafaqintegrated.com www.alafaqintegrated.com



V-90 / MOBILE CRUSHING AND SCREENING PLANT

ANGOLA



ALFAQ INTEGRATED
CRUSHING & SCREENING PLANT

Sales@alfaqintegrated.com www.alfaqintegrated.com



J - 2 / MOBILE JAW CRUSHER

**DEMOCRATIC REPUBLIC
OF CONGO**



ALAFQA INTEGRATED
CRUSHING & SCREENING PLANT

Sales@alafaqintegrated.com www.alafaqintegrated.com

SULTANATE OF
OMAN



JS-2 / MOBILE CRUSHING AND SCREENING PLANT



ALAFQA INTEGRATED

CRUSHING & SCREENING PLANT

Sales@alafaqintegrated.com www.alafaqintegrated.com



JC - 2 / MOBILE CRUSHING AND SCREENING PLANT

URUGUAY



ALAFaq INTEGRATED
CRUSHING & SCREENING PLANT

Sales@alafaqintegrated.com www.alafaqintegrated.com



J-2 / MOBILE JAW CRUSHER

BULGARIA



ALAFQA INTEGRATED

CRUSHING & SCREENING PLANT

Sales@alafaqintegrated.com www.alafaqintegrated.com



C-2 / MOBILE CRUSHING AND SCREENING PLANT

PARAGUAY



ALAFQA INTEGRATED
CRUSHING & SCREENING PLANT
Sales@alafaqintegrated.com www.alafaqintegrated.com



BURKINA FASO



JC-2 / MOBILE CRUSHING AND SCREENING PLANT



ALAFQA INTEGRATED

CRUSHING & SCREENING PLANT

Sales@alafaqintegrated.com www.alafaqintegrated.com



JCV-2 / MOBILE CRUSHING AND SCREENING PLANT CAMEROON



ALFAQ INTEGRATED

CRUSHING & SCREENING PLANT

Sales@alafaqintegrated.com www.alafaqintegrated.com



JT-1 / MOBILE CRUSHING AND SCREENING PLANT



MOROCCO



ALAFIQ INTEGRATED
CRUSHING & SCREENING PLANT

Sales@alafaqintegrated.com www.alafaqintegrated.com



SPAIN

V-70 / MOBILE CRUSHING AND SCREENING PLANT



ALAFaq INTEGRATED

CRUSHING & SCREENING PLANT

Sales@alafaqintegrated.com www.alafaqintegrated.com



SCREENING AND WASHING PLANT

SLOVAKIA



ALAFaq INTEGRATED

CRUSHING & SCREENING PLANT

Sales@alafaqintegrated.com www.alafaqintegrated.com



SCREENING AND WASHING PLANT

ROMANIA



ALAFAQ INTEGRATED

CRUSHING & SCREENING PLANT

Sales@alafaqintegrated.com www.alafaqintegrated.com



SCREENING AND WASHING PLANT

SERBIA



ALFAQ INTEGRATED

CRUSHING & SCREENING PLANT

Sales@alafaqintegrated.com www.alafaqintegrated.com



SCREENING AND WASHING PLANT

ROMANIA



ALAFaq INTEGRATED

CRUSHING & SCREENING PLANT

Sales@alafaqintegrated.com www.alafaqintegrated.com



CUSTOM DESIGN SCREENING AND WASHING PLANT

SERBIA



ALAFIQ INTEGRATED
CRUSHING & SCREENING PLANT
Sales@alafaqintegrated.com www.alafaqintegrated.com



SCREENING AND WASHING PLANT

SERBIA



ALAFQA INTEGRATED

CRUSHING & SCREENING PLANT

Sales@alafaqaintegrated.com www.alafaqaintegrated.com



SW - 1640 / MOBILE SCREENING AND WASHING PLANT **SERBIA**



ALAFIQ INTEGRATED

CRUSHING & SCREENING PLANT

Sales@alafaqintegrated.com www.alafaqintegrated.com



S - 1850 / MOBILE SCREENING PLANT

KAZAKHSTAN



ALAFQA INTEGRATED
CRUSHING & SCREENING PLANT
Sales@alafaqintegrated.com www.alafaqintegrated.com



SW-1240 / MOBILE SCREENING & WASHING PLANT

URUGUAY



ALFAQ INTEGRATED

CRUSHING & SCREENING PLANT

Sales@alafaqintegrated.com www.alafaqintegrated.com



SAND WASHING SCREW WITH HYDROCYCLONE

BAHRAIN



ALAFQA INTEGRATED
CRUSHING & SCREENING PLANT

Sales@alafaqintegrated.com www.alafaqintegrated.com



SAND WASHING SCREW

SULTANATE OF
OMAN



ALFAQ INTEGRATED

CRUSHING & SCREENING PLANT

Sales@alafaqintegrated.com www.alafaqintegrated.com



SAND WASHING SCREW

ISRAËL



CONSTMACH

CE [certification icons]

40
CELEBRATING
40 YEARS OF
SUCCESS

SAND WASHING SCREW

GERMANY

MIETPARK

QAX20



ALAFQA INTEGRATED
CRUSHING & SCREENING PLANT
Sales@alafaqintegrated.com www.alafaqintegrated.com



CDS-1225 / DEWATERING SCREEN AND HYDROCYCLONE **TUNISIA**



ALAFQAQ INTEGRATED

CRUSHING & SCREENING PLANT

Sales@alafaqintegrated.com www.alafaqintegrated.com
